

Step 4A. Papoose Caboose Handle Supplement

- A. On the Papoose Caboose you need to remove the collar from the handle so you can snap them onto the cross bar as shown in Figure 11.
- B. Then you can replace the handle with the bend facing down as shown in Figure 12.

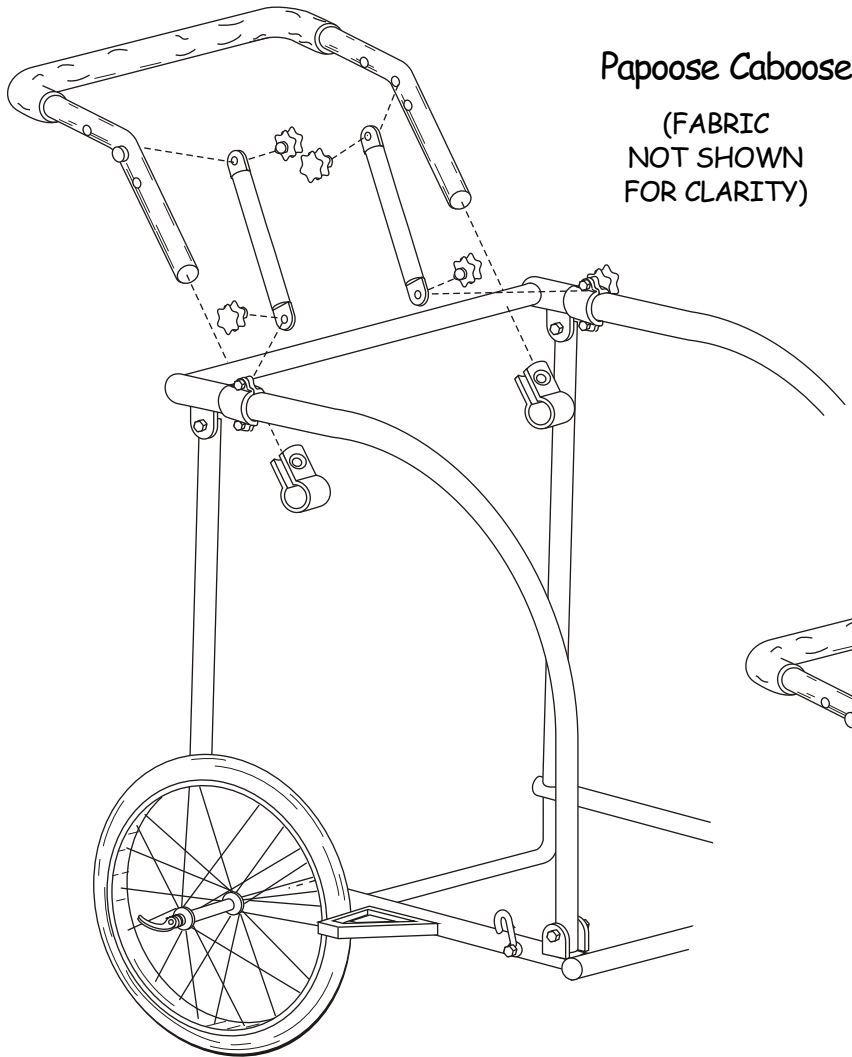


FIG. 11

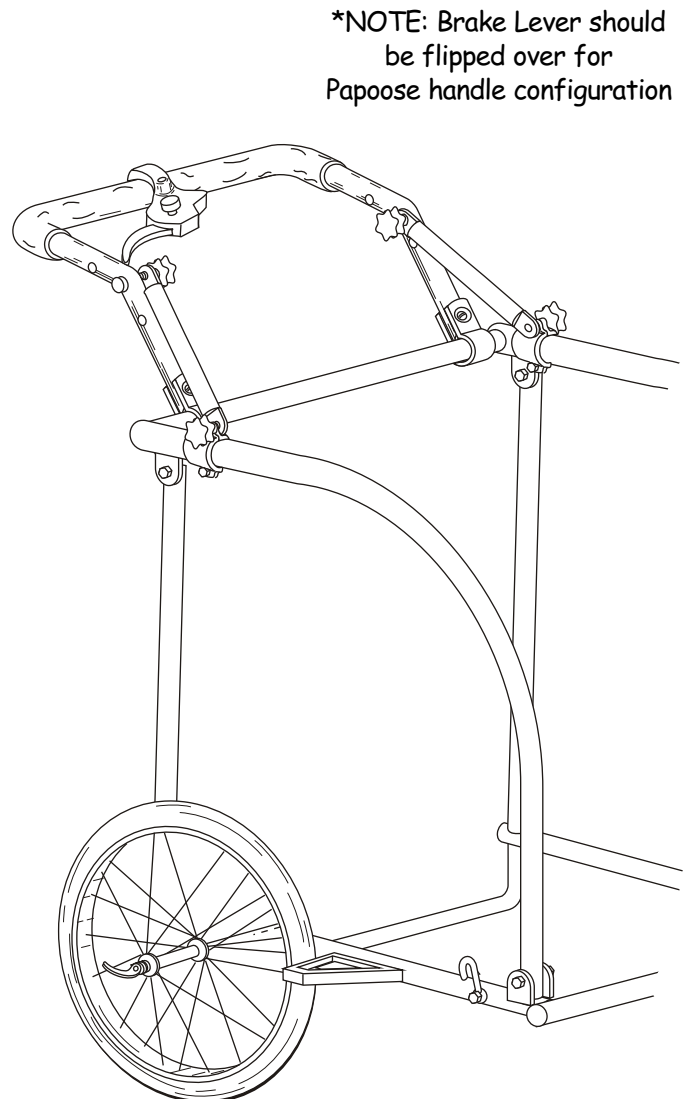


FIG. 12

Step 4B. Lil' Trooper Handle Supplement

- A. On the Lil' Trooper you need to remove the collar from the handle so you can snap them onto the cross bar as shown in Figure 13.
- B. Then you can replace the handle with the bend facing up as shown in Figure 14.

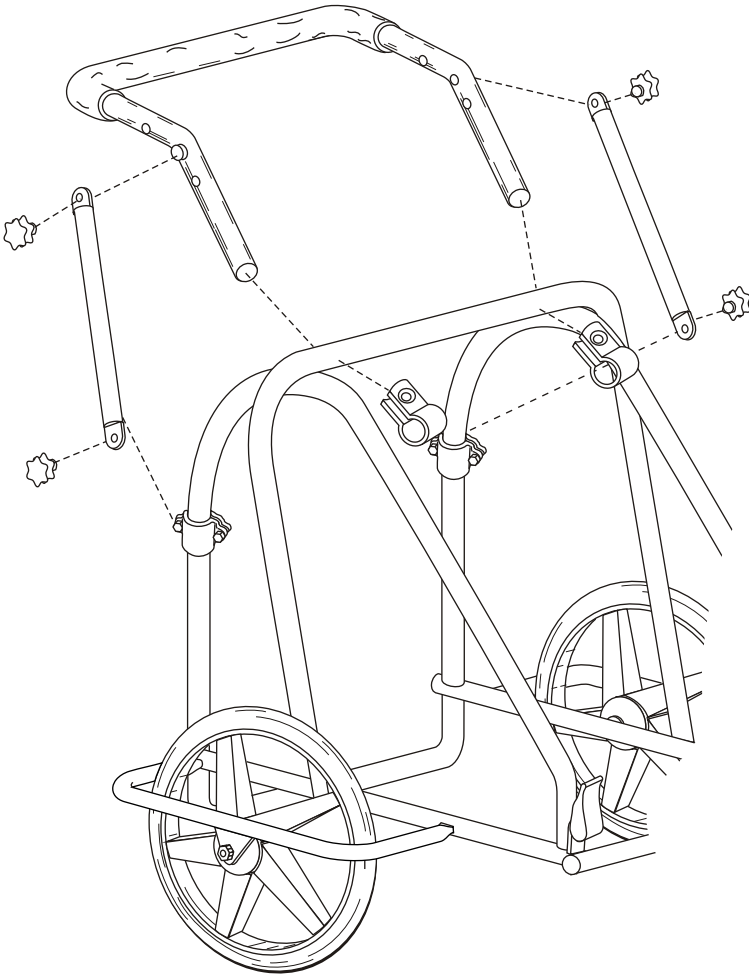


FIG. 13

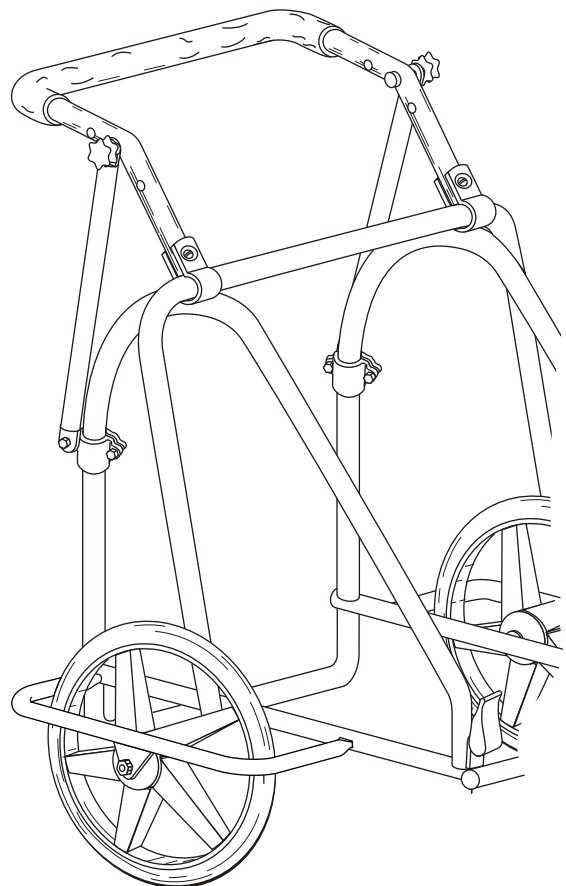
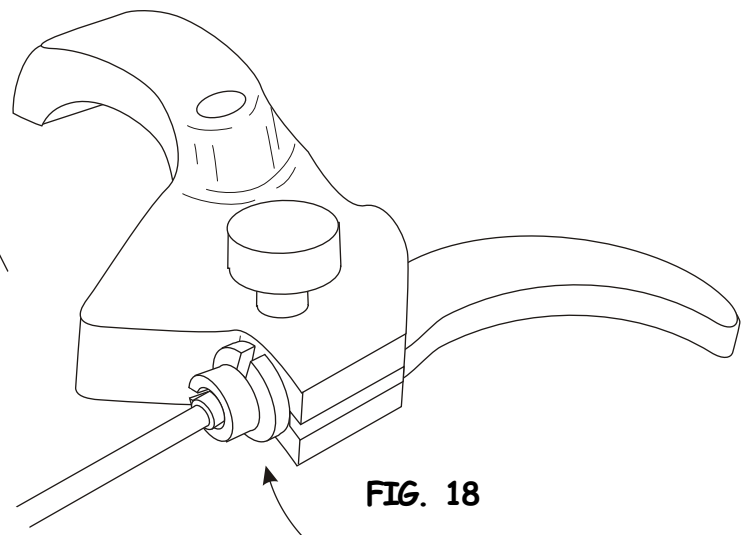
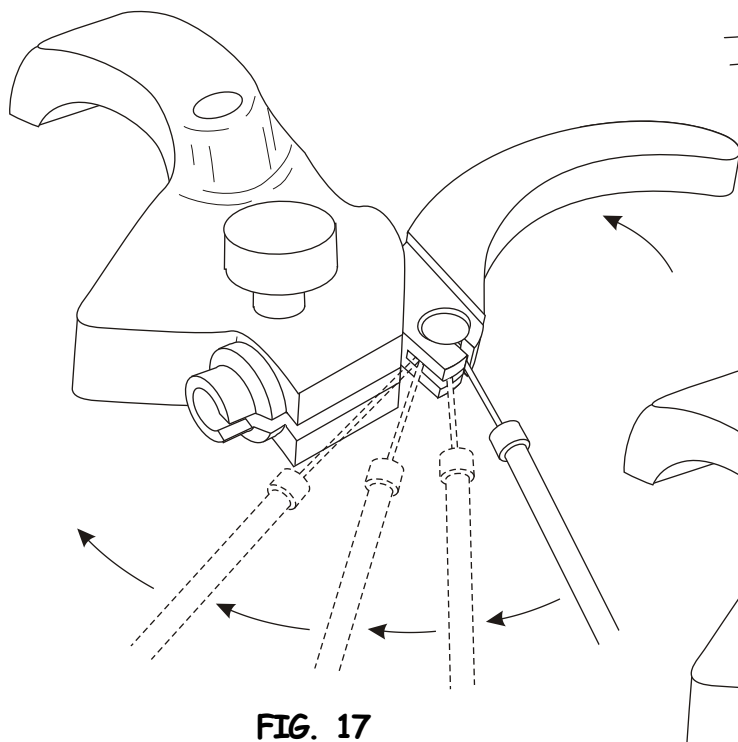
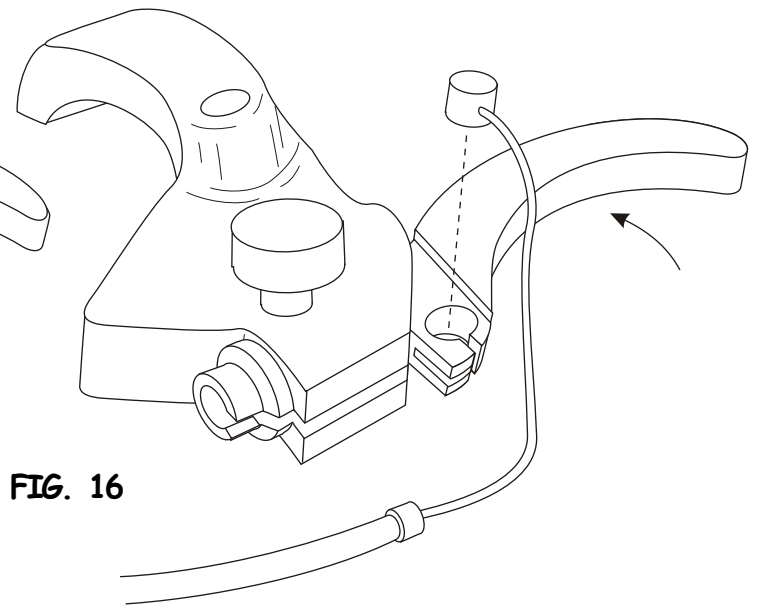
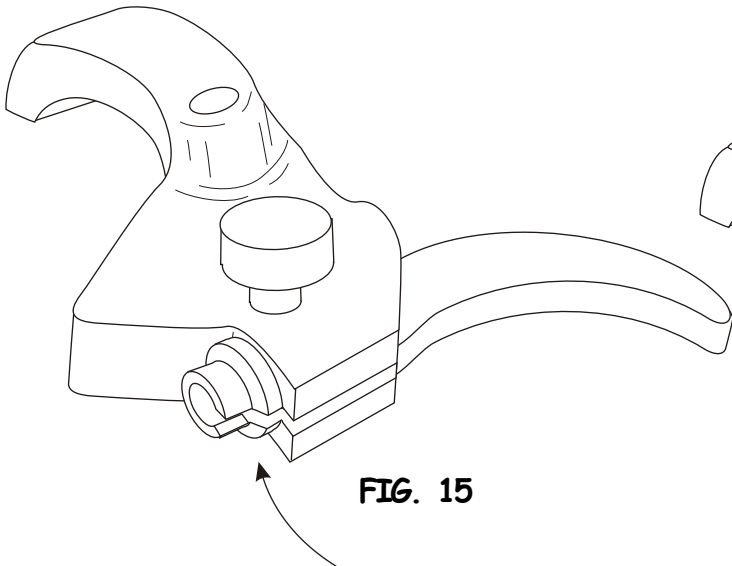


FIG. 14

Step 6. Attach Brake Cable

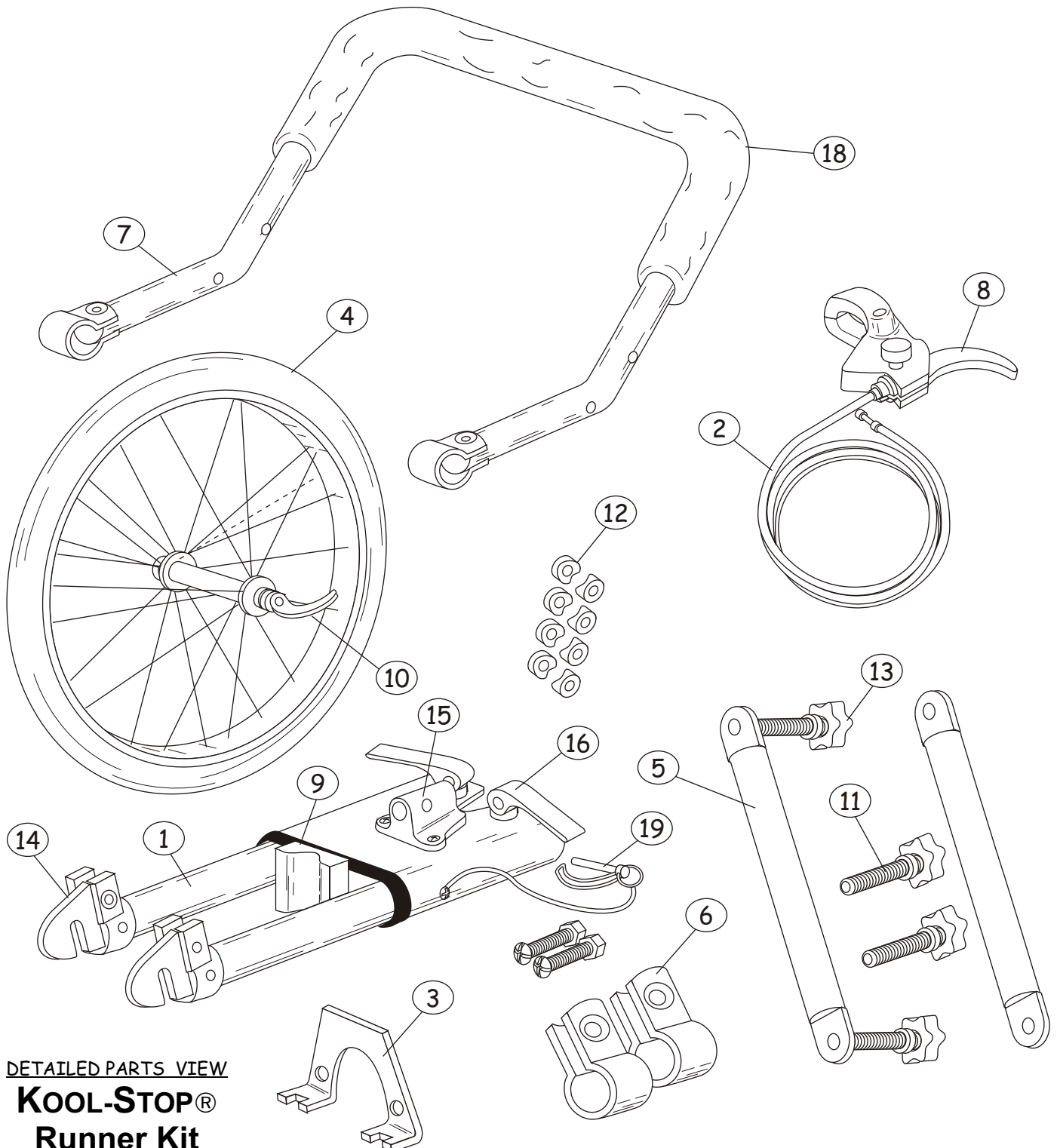
1. Line up grooves on lever of brake assembly (Fig. 15).
2. Pull handle back and slide brake cable hook into grooves (Fig. 16)
3. Pull cable and slide it into the grooves of brake assembly (Fig. 17)
4. Release cable then tighten slot screws to lock cable (Fig. 18)



PARTS LIST			
NO.	PART NO.	DESCRIPTION	QTY.
1	RKC-100	FORK ASSEMBLY	1
2	J1-1101	BRAKE CABLE	1
3	RKC-101	RECEIVER BRACKET	1
4	J1-1010A	FRONT WHEEL	1
5	RKC-102	SUPPORT BRACE	2
6	RKC-099	CLAMPS FOR PAPOOSE	2
7	RKC-103	HANDLE BAR	1
8	J1-1100P	BRAKE LEVER	1
9	J1-1102P	P-BRAKE CALIPER	1
10	J1-1012	SKEWER	1

PARTS LIST				
NO.	PART NO.	DESCRIPTION	QTY.	LOCATION
11	3G500	CARRIAGE BOLT	4	SUPPORT BRACE
12	RKC-096	CONCAVE SPACER	8	SUPPORT BRACE
13	3G507	X-BAR KNOB	4	SUPPORT BRACE
14	J1-1066 L&R	FORK TIPS	2	FORK ASSEMBLY
15	RKC-098	PLAST RECEIVER	1	FORK ASSEMBLY
* 16	RKC-097	CAM LEVER ASSEMBLY	2	FORK ASSEMBLY
* 17		PLASTIC COLLAR	2	HANDLE BAR
18		FOAM GRIP	2	HANDLE BAR
19	J1-1224	SNAPPER PIN	1	FORK ASSEMBLY

* PARTS NOT ILLUSTRATED



DETAILED PARTS VIEW

KOOL-STOP®
Runner Kit

WARNING!

DO NOT USE THIS TRAILER/RUNNER KIT UNDER DARK CONDITIONS. THERE ARE NO REFLECTORS OR LIGHTS INSTALLED TO ENABLE YOU TO SEE HAZARDS, OR OTHERS TO SEE THE TRAILER.

(MAXIMUM WEIGHT LIMIT IS 150 LBS.) Never hang items from the handle, it can cause the trailer to tip backwards and injure the passenger!

IMPORTANT... Although a helmet for the passenger is not required, it is a good idea to put a helmet on the passenger.

* MANUFACTURER'S SUGGESTED RETAIL PRICES SUBJECT TO CHANGE WITHOUT NOTICE.

KOOL-STOP 10 YEAR LIMITED WARRANTY

KOOL STOP ORIGINALS, INC. warrants this product to be free of defects in workmanship and material for 10 years (with the exception of all fabric components, which shall be warranted for a period of one year) under normal use and service following date of purchase and delivery to the original customer. This warranty does not cover wheels and tires.

This warranty will not apply to damages arising from neglect, accidental or intentional damage, institutional or commercial use, or misuse of the product.

Repairs or replacement under this warranty shall be made by KOOL STOP ORIGINALS, INC. or through an authorized KOOL STOP ORIGINALS, INC. dealer without charge to the customer.

If the dealer or factory representative finds return necessary, packing and shipping cost to the factory will be prepaid by the customer. KOOL STOP ORIGINALS, INC. will, at its sole option, repair or replace the product and ship it (or one of equivalent type and quality if exact replacement is unavailable) to the dealer authorizing the return.

Expressly excluded by this warranty is liability for consequential property or commercial damages. THIS IS A LIMITED WARRANTY.

Information in this manual is subject to change without notice.

©2001 KOOL-STOP ORIGINALS, INC. All rights reserved. No part of this OWNER'S MANUAL AND ASSEMBLY INSTRUCTIONS publication may be reproduced, transmitted, transcribed, stored in a retrieval system, or translated into any languages in any form, by any means, without written permission by KOOL STOP ORIGINALS, INC.

Designed and Imported By:
KOOL-STOP ORIGINALS, INC.
17150 S. W. Boones Ferry Rd.
Lake Oswego, OR. 97035

Sales Office:
KOOL-STOP ORIGINALS, INC.
1061 South Cypress St.
La Habra, CA. 90631
(800) 586-3332
Fax: (714) 992-6191

THINK SAFE AND BE SAFE!

Visit the JPMA Website at www.jpma.org
for the latest and most up-to-date information

WWW.KOOLSTOP.COM
E-MAIL: KSICALIFORNIA@AOL.COM